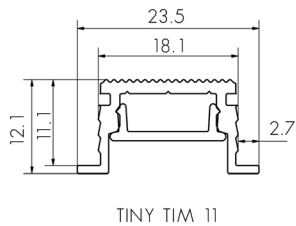
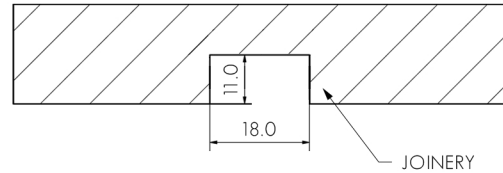


1 PRODUCT OVERVIEW



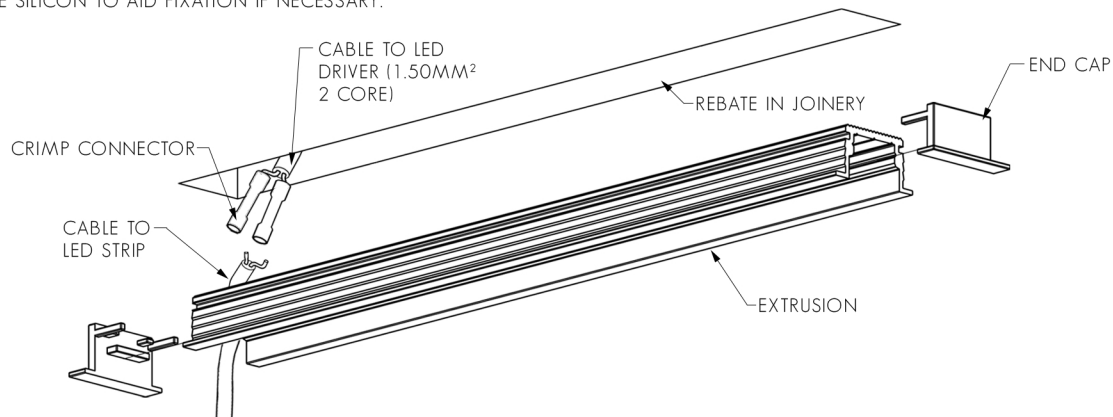
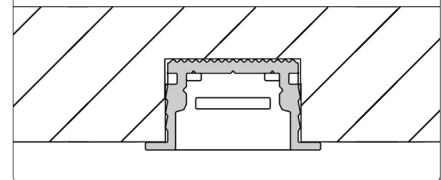
2 CREATE RECESS



3 INSTALL EXTRUSION INTO RECESS

1. DRILL 6MMØ HOLE IN JOINERY FOR ELECTRICAL CABLE.
2. INSERT END CAPS INTO EXTRUSION.
3. IF USING MULTIPLE LENGTHS OF EXTRUSION, THESE MUST BE BUTT-JOINED.
4. FEED LED STRIP TAILS (OR CABLE) THROUGH HOLE IN EXTRUSION. DO NOT INSTALL LED STRIP AT THIS POINT.
5. MAKE ELECTRICAL CONNECTION: CONNECT LED STRIP TAILS TO LED DRIVER.
6. PUSH EXTRUSION INTO ROUTED SLOT, ENSURING A FIRM FIT (SEE FIG. 1). USE SILICON TO AID FIXATION IF NECESSARY.

FIG. 1 - ENSURE EXTRUSION IS MOUNTED SECURELY



4 INSTALL LED STRIP AND DIFFUSER

1. **IMPORTANT:** BEFORE MOUNTING LED STRIP, CLEAN EXTRUSION USING AN ALCOHOL BASED CLEANER.
2. REMOVE BACKING FROM LED STRIP TO EXPOSE STICKY SURFACE. LAY LED STRIP INTO EXTRUSION, USING THE SMALL GROOVES IN THE BACK OF THE EXTRUSION AS A GUIDE. USE A DAB OF SILICON AT EACH END OF THE LED STRIP TO PREVENT ENDS FROM LIFTING OFF EXTRUSION.
3. CLIP DIFFUSER INTO EXTRUSION, ENSURING A FIRM CONNECTION (SEE FIG. 2).

FIG. 2 - ENSURE DIFFUSER IS MOUNTED SECURELY

