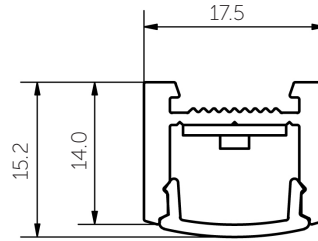
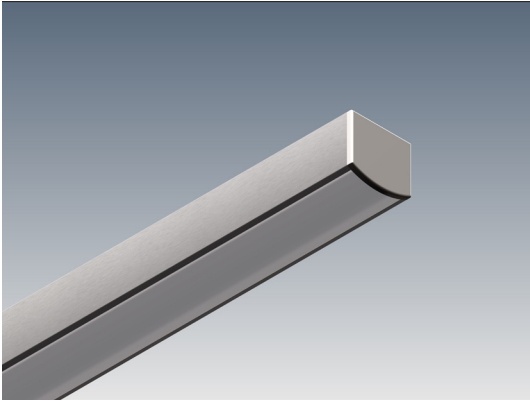


Downhill Dan 14



The Downhill Dan 14 extrusion is a compact solution providing dot-free lighting. A versatile system suitable for various mounting options, Downhill Dan 14 can be surface mounted, recessed and suspended. Both wire and rod suspension options are available for the Downhill Dan 14 extrusion and the recessing system for plasterboard ceilings and walls, creates a perfect trimless recessed finish every time.

MOUNTING OPTIONS	DIFFUSER OPTIONS	SUPER SERIES LED STRIP OPTIONS		
Surface mounted	Opal	Lumens per metre	Watts per metre	Colour temp.
Recessed	Clear	270lm	2.6W	2700K
Rod suspended		280lm		3000K
Wire suspended		300lm		4000K
		470lm	5W	2700K
		600lm		3000K
		640lm		4000K
		1250lm	11W	2700K
		1270lm		3000K
		1400lm		4000K

- LED strip options vary depending on region – please consult your local distributor for more information. Other LED strip options are available on request, including IP65 and RGBW colour change.
- All lumen values refer to the bare LED strip. Losses through diffuser/profile are not represented. Consult photometric data.
- 5 year manufacturer's warranty on Super Series LED strip.

ACCESSORIES

JMC-12 Joinery mounting clip	JN-ST Straight joiner	JN-90 90 degree joiner	CB-60-R-S / CB-60-R-W Cable base 60, recessed	CB-80-SM-S / CB-80-SM-W Cable base 80, surface mount	SWK-1-2M / SWK-1-4M Wire suspension	SRK-1-S / SRK-1-W Rod suspension kit (rod not incl)
SRK-6-S / SRK-6-W Rod suspension kit (rod not incl)	ROD-0.5M / ROD-1M / ROD-2M Suspension rod - 0.5m, 1m, 2m	MB-ADJ Adjustable mounting bracket				

ADDITIONAL INFORMATION

Applications Task lighting in kitchen cabinetry, shelving or display units, hallways
Installation Interior or exterior (with IP65 rated LED strip).
Materials Extruded aluminium body, polycarbonate diffuser, AES plastic end caps.
Finish Natural silver anodised or custom powder coat.
Light source LED ribbon strip.
Power supply 24V DC - remote driver options ranging from 6W up to 320W.
Dimmable Various options available, please enquire.

